

S.25-801

Ideal choice for light transportation etc.
FDA approved.



SCANBELT
...keeping industry moving...

SUGGESTED INDUSTRIES

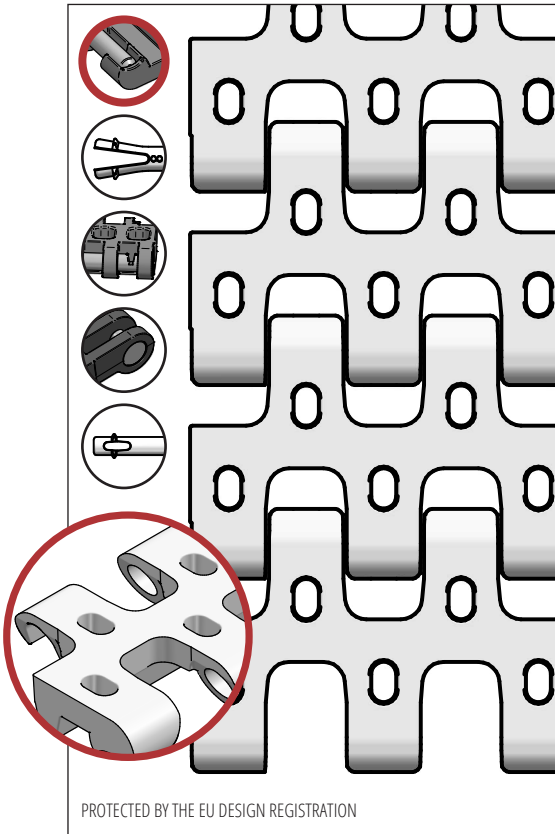


STANDARD FEATURES

Belt surface	Open belt with smooth surface
Open area	Very Open 41 %, biggest opening 10 x 5 mm
Strength	Ideal choice for light transportation
Cleanability	Excellent. FSIS
Standard width	Increments of 20 mm, e.g. 100 mm, 120 mm etc.

BELT DATA

Belt materials	Temperature range		Max. belt pull kg/m of width	Belt weight kg/m ²	Belt weight kg/m ² w. steel rods	Standard Colours
	Min.	Max.				
PE	-73	66	550	5	10,5	Blue/Natural
PP	+5	100	650	5	10,5	Blue/White/Grey
POM	-43	95	1050	7,5	13	Blue/Natural

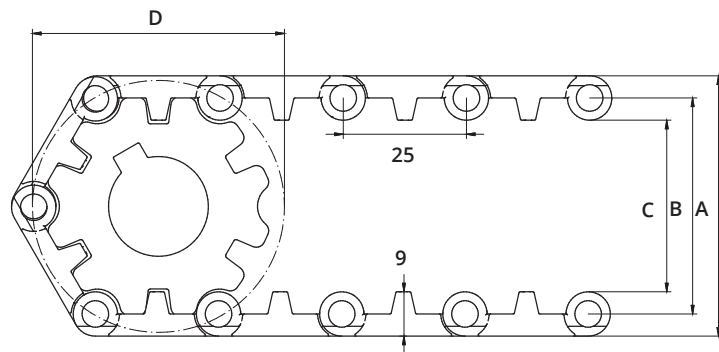


PROTECTED BY THE EU DESIGN REGISTRATION

ACCESSORIES

Type	mm
Flights	3, 25, 50*, 75
Scoop Flights	50, 75
Bent Flights	-
Supported Flights	-
Flights fitted with a Round Top	Yes
Side Guards	25, 50, 75
Friction Top	Yes
Hold-downs	Yes

*Modules can be supplied with a moulded indent of 40 mm.



SPROCKET DATA

A = Outside, B = Pitch, C = Inside, D = Pitch Circle Diameter

No. Teeth	A	B	C	D	Hub Width	Round Bore		Square Bore	
	mm	mm	mm	mm		mm	Inch	mm	Inch
6	56	47	38	51	20	20			
12	105	96	87	98	20	20 / 25 / 30 / 40	¾ / 1 / 1¼	25 / 40	1½
16	140	131	122	133	20	20 / 25 / 30 / 40	¾ / 1 / 1¼	25 / 40	1½
20	172	163	154	165	35	25 / 30 / 40	1 / 1¼	25 / 40 / 60	1½ / 2½