

S.101 Tracklink

The ideal choice for medium weight curves.
Radius Conveyors.
Consists of a 190.5 mm wide module.
FDA approved.



SCANBELT
...keeping industry moving...

SUGGESTED INDUSTRIES

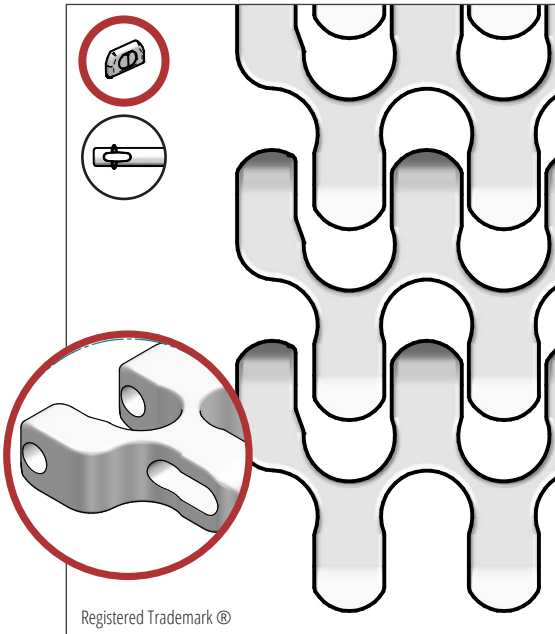


STANDARD FEATURES

Belt surface	Smooth
Open area	52 %
Strength	The ideal choice for medium-duty transportation
Cleanability	Good
Inner radius	335 mm
Width interval	Normally 20,5 mm. E.g: 210 mm, 230 mm etc.

BELT DATA

Belt materials	Temperature		Rods	Max. belt pull kg/m	Belt weight kg/m ²	Standard Colours
	Min.	Max.				
PP	+ 5	100	PP	250	7	White/Blue
			Nylon	250	7	
			Steel	250	12,5	
POM	- 43	95	PP	400	10,5	Natural/Blue
			Nylon	400	10,5	
			Steel	400	15,5	

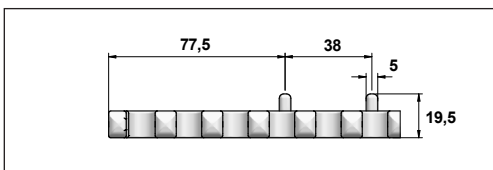


Registered Trademark ©

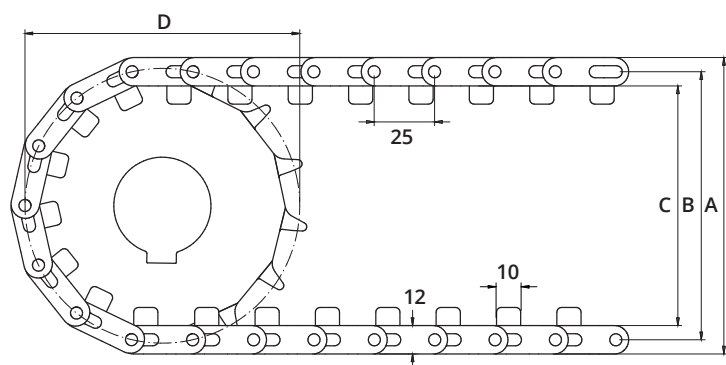
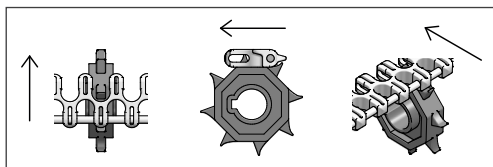
ACCESSORIES

Type	mm
Flights	-
Friction Top	-

TRACKLINKS



SPROCKET ENGAGEMENT



SPROCKET DATA

A = Outside, B = Pitch, C = Inside, D = Pitch Circle Diameter

No. Teeth	A	B	C	D	Hub Width	Round Bore		Square Bore	
	mm	mm	mm	mm		mm	Inch	mm	Inch
8	74	62	50	66	20	20 / 25	¾ / 1	25	
12	106	94	82	98	20	20 / 25 / 30 / 40	¾ / 1 / 1¼	25 / 40	1½
20	173	161	149	162	35	25 / 30 / 40	1 / 1¼	25 / 40	1½