

S.201 HOOK

Ideal for heavy duty spirals and curves.
Spiral Coolers, Radius Conveyors.
Construction: side modules, centre modules



SCANBELT
...keeping industry moving...

SUGGESTED INDUSTRIES



STANDARD FEATURES

Belt surface	Smooth
Open area	47 %
Strength	Ideal choice for heavy-duty spirals and curves
Cleanability	Good
Width interval	Normally 20 mm. E.g: 210 mm, 230 mm etc.
Hooks turned inside	Distance between hooks: Belt width minus 19 mm

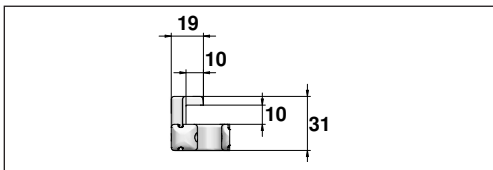
BELT DATA

Belt materials	Temperature		Rods	Max. belt pull kg/m	Belt weight kg/m ²	Standard Colours
	Min.	Max.				
PP	+ 5	100	PP	165	4,7	White/Blue
			Nylon	230	4,7	
			Steel	230	7	
POM	- 43	95	PP	205	8	Natural/Blue
			Nylon	305	8	
			Steel	305	12	

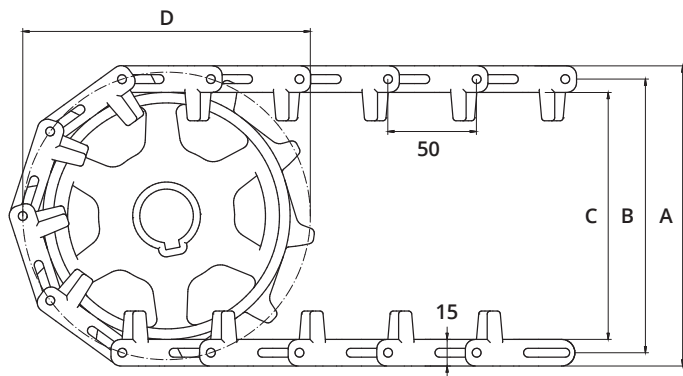
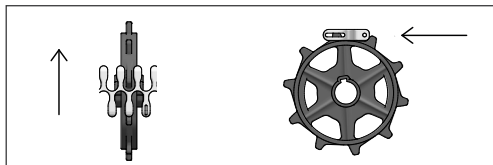
ACCESSORIES

Type	mm
Nub top	3
Side Guard	-
Friction Top	-
Hooks	Yes

HOOKS



SPROCKET ENGAGEMENT



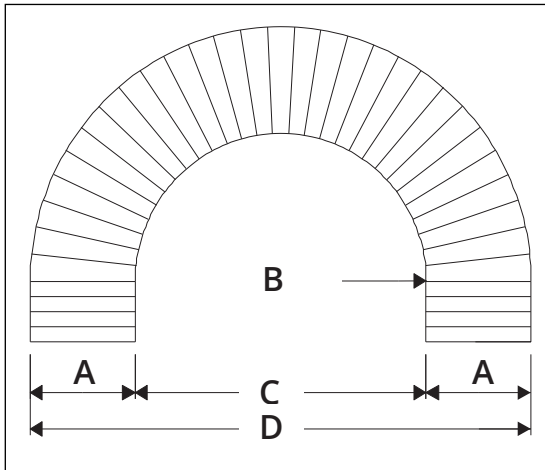
SPROCKET DATA

A = Outside, B = Pitch, C = Inside, D = Pitch Circle Diameter

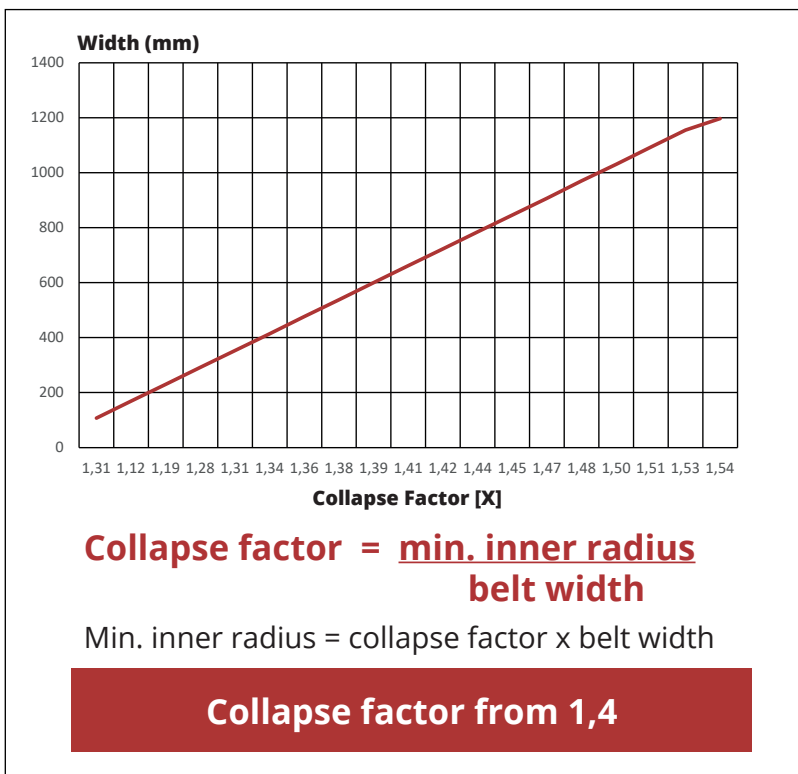
No. Teeth	A	B	C	D	Hub Width	Round Bore		Square Bore	
	mm	mm	mm	mm		mm	Inch	mm	Inch
10	169	154	139	162	35	25 / 30 / 40 / 50 / 60		25 / 40 / 60	

S.201 HOOK BELT DIMENSIONS

S.201 HOOK - 50 mm Radius



A	107	210	292	394	497	600	702	805	907	1011
B	148	240	375	505	670	855	1040	1210	1360	1540
C	296	480	750	1010	1340	1710	2080	2420	2720	3080
D	510	900	1334	1798	2334	2910	3484	4030	4534	5102



STANDARD WIDTH

Belt width.	Min.inner radius.	Belt width.	Min.inner radius
107	140	579	820
128	155	600	850
148	165	620	880
169	190	641	915
189	215	662	950
210	245	682	985
230	275	702	1025
251	315	723	1065
271	345	744	1100
292	375	764	1130
312	405	785	1160
333	435	805	1190
374	465	826	1220
394	495	846	1250
414	520	867	1280
435	550	887	1310
477	580	907	1340
455	615	928	1380
477	650	949	1415
497	685	970	1455
518	720	990	1485
538	755	1011	1520
559	790		