

# S.201

Ideal for heavy duty spirals and curves.  
Spiral Coolers, Radius Conveyors.  
Construction: side modules, centre modules



**SCANBELT**  
...keeping industry moving...

## SUGGESTED INDUSTRIES

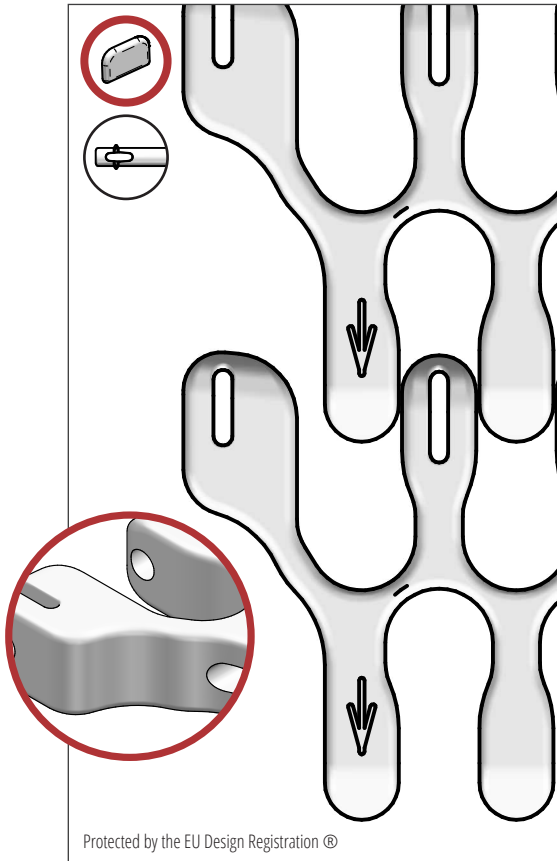


## STANDARD FEATURES

Belt surface	Smooth
Open area	47 %
Strength	Ideal choice for heavy-duty spirals and curves
Cleanability	Good
Width interval	Normally 20 mm. E.g: 210 mm, 230 mm etc.

## BELT DATA

Belt materials	Temperature		Rods	Max. belt pull kg/m	Belt weight kg/m <sup>2</sup>	Standard Colours
	Min.	Max.				
PP	+ 5	100	PP	165	4,7	White/Blue
			Nylon	230	4,7	
			Steel	230	7	
POM	- 43	95	PP	205	8	Natural/Blue
			Nylon	305	8	
			Steel	305	12	

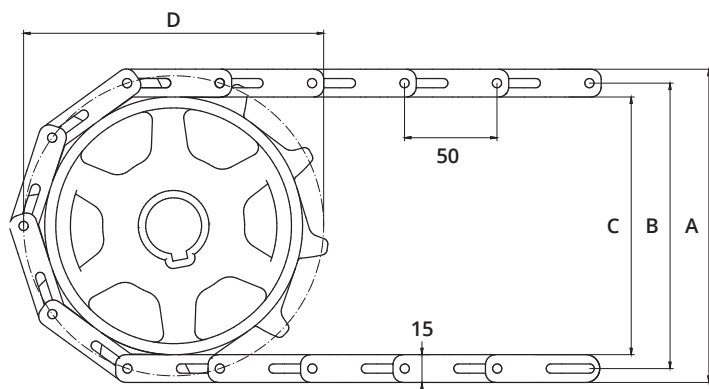
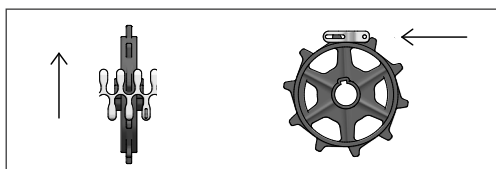


Protected by the EU Design Registration ©

## ACCESSORIES

Type	mm
Nub top	3
Side Guard	-
Friction Top	-
Hooks	Yes

## SPROCKET ENGAGEMENT



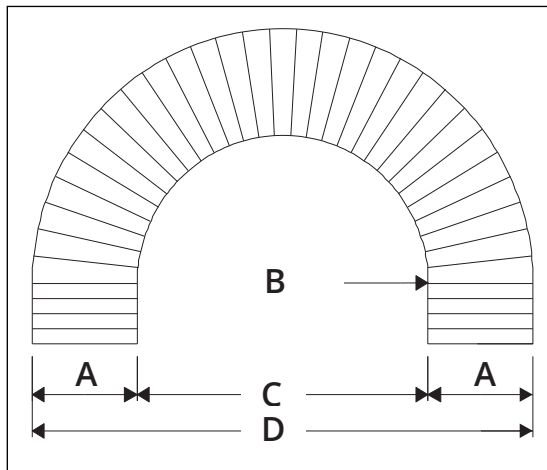
## SPROCKET DATA

A = Outside, B = Pitch, C = Inside, D = Pitch Circle Diameter

No. Teeth	A	B	C	D	Hub Width	Round Bore		Square Bore	
	mm	mm	mm	mm		mm	Inch	mm	Inch
10	169	154	139	162	35	25 / 30 / 40 / 50 / 60	1 / 1¼	25 / 40 / 60	1½ / 2½

# S.201 BELT DIMENSIONS

S.201 - 50 mm Radius



A = Standard belt width  
 B = Inner radius  
 C = Inner diameter  
 D = Outer diameter

<b>A</b>	107	210	292	394	497	600	702	805	907	1011
<b>B</b>	140	245	374	524	678	834	993	1159	1329	1506
<b>C</b>	280	490	748	1048	1356	1668	1986	2318	2658	3012
<b>D</b>	494	910	1332	1836	2350	2868	3390	3928	4472	5034

## STANDARD WIDTH

Belt width.	Min.inner radius.	Belt width.	Min.inner radius
107	140	579	802
128	155	600	834
148	165	620	865
169	190	641	897
189	215	662	930
210	245	682	962
230	275	702	993
251	315	723	1027
271	343	744	1060
292	374	764	1093
312	402	785	1126
333	433	805	1159
353	462	826	1194
374	494	846	1227
394	524	867	1261
414	555	887	1295
435	587	907	1329
455	617	928	1364
477	649	949	1400
497	678	970	1436
518	710	990	1470
538	740	1011	1506
559	771		

