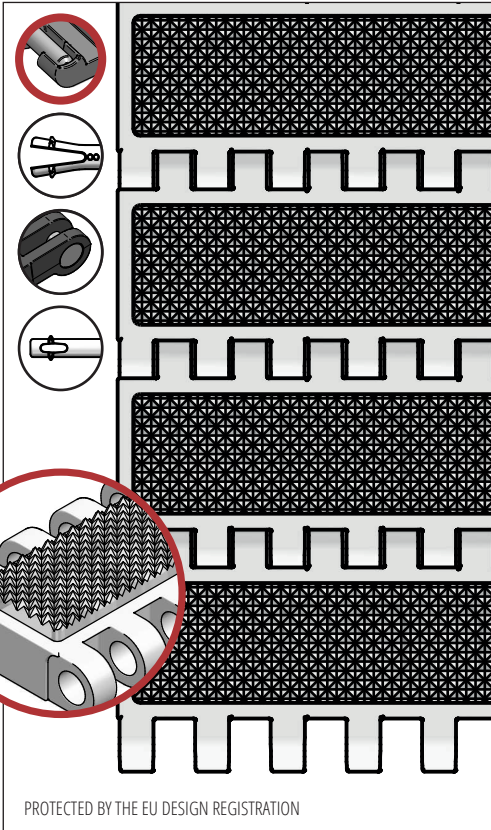


S.25-408 F/2

Ideal choice for medium-duty transportation etc. Transport of small products such as machine components. Vulcanising belt for the rubber industry. FDA approved.



SCANBELT
...keeping industry moving...



PROTECTED BY THE EU DESIGN REGISTRATION

SUGGESTED INDUSTRIES



STANDARD FEATURES

Belt surface	Flat top
Open area	Closed
Strength	Ideal choice for medium-duty transportation
Cleanability	Good. FSIS
Standard width	Increments of 10 mm, e.g. 100, 110 mm etc.

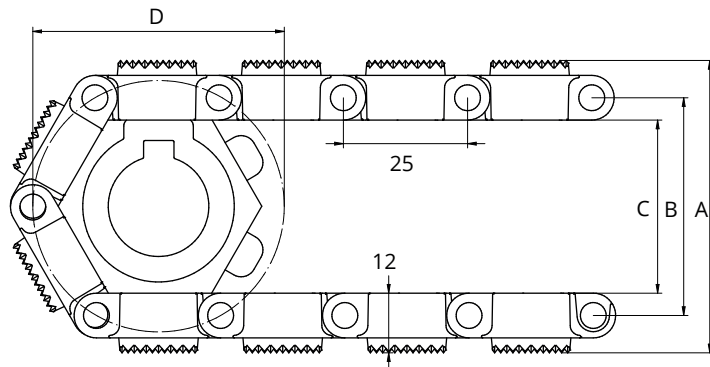
BELT DATA

Belt materials	Temperature range		Max. belt pull kg/m of width	Belt weight kg/m ²	Belt weight kg/m ² w. steel rods	Standard Colours
	Min.	Max.				
Copolymer	-20	80	1200	6	11,5	Black on Grey

ACCESSORIES

Type	mm
Flights	3, 25*, 50*
Scoop Flights	-
Friction Flights	25, 50
Flights fitted with a Round Top	Yes
Moulded Side Guards	10, 20
Side Guards	25, 50, 75
Friction	Yes
Hold-downs	Yes

*Modules can be supplied with a moulded indent of 40 mm.



SPROCKET DATA

A = Outside, B = Pitch, C = Inside, D = Pitch Circle Diameter

No. Teeth	A	B	C	D	Hub Width	Round Bore		Square Bore	
	mm	mm	mm	mm		mm	Inch	mm	Inch
6	60	45	36	52	20	20			
8	77	62	53	66	20	20 / 25	1	25	
12	111	96	87	99	20	20 / 25 / 30 / 40	1 / 1¼	25 / 40	1½
20	177	162	153	164	35	25 / 30 / 40	1 / 1¼	25 / 40 / 60	1½ / 2½