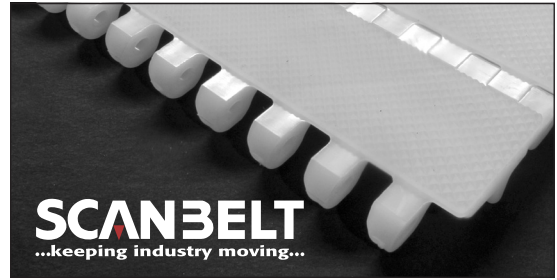


S.50-808 F/2

Transport of goods on a slightly inclined conveyor.
FDA approved.



SCANBELT
...keeping industry moving...

SUGGESTED INDUSTRIES

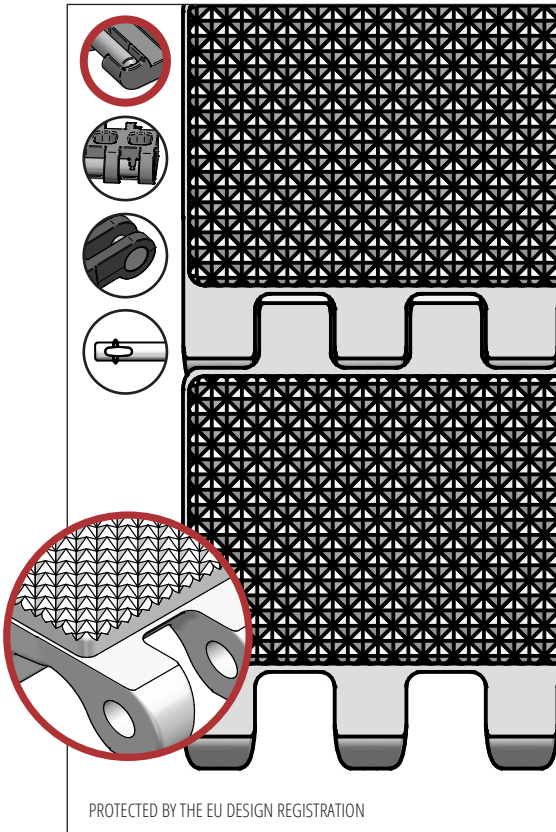


STANDARD FEATURES

Belt surface	Closed belt with friction top
Open area	Closed
Strength	Ideal choice for medium to heavy-duty transportation
Cleanability	Excellent (FSIS)
Standard width	Increments of 20 mm, e.g. 100, 120 mm etc.
Also available as	Module with 40 mm indent

BELT DATA

Belt materials	Temperature range		Max. belt pull kg/m of width	Belt weight kg/m ²	Belt weight kg/m ² w. steel rods	Standard Colours
	Min.	Max.				
Copolymer	-20	80	1350	9	13	Natural

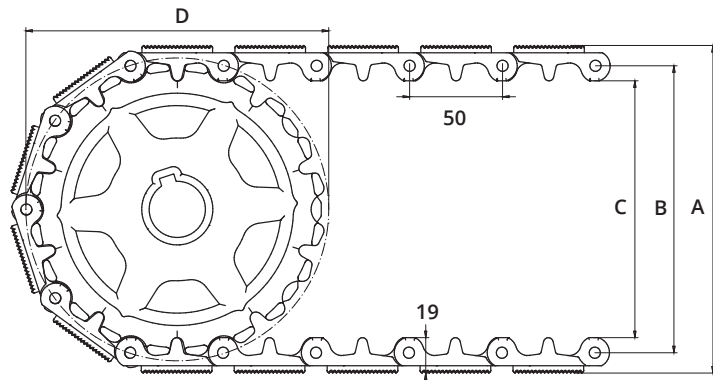


PROTECTED BY THE EU DESIGN REGISTRATION

ACCESSORIES

Type	mm
Flights	3*, 25*, 50*, 75*, 100*
Scoop Flights	50, 75, 100*, 150*
Bent Flights	75*, 100*
Supported Flights	75, 100, 150
Flights fitted with a Round Top	Yes
Side Guard	50, 75, 100, 150
Friction	Yes
Hold-downs	Yes

*Modules can be supplied with a moulded indent of 40 mm.



SPROCKET DATA

A = Outside, B = Pitch, C = Inside, D = Pitch Circle Diameter

No. Teeth	A	B	C	D	Hub Width	Round Bore		Square Bore	
	mm	mm	mm	mm		mm	Inch	mm	Inch
6	111	89	73	100	20	20 / 25 / 30 / 40	¾ / 1 / 1¼	25 / 40	1½
8	144	122	106	132	35	25 / 30 / 40	1 / 1¼	25 / 40	1½
10	178	156	140	162	35	20 / 25 / 30 / 40 / 50 / 60 / 80	1 / 1¼	25 / 40 / 60	1½ / 2½
12	211	189	173	195	35	20 / 25 / 30 / 40 / 50 / 60 / 80	1 / 1¼	25 / 40 / 60	1½ / 2½